

Rathgar Bath Filler



COMPLIANCE APPROVALS

BA Standards
BS EN200

Wras Approved
Yes

Guarantee
5 Year Guarantee

*5 Year Guarantee on Taps and Showers applies to chrome finishes and main body of products.

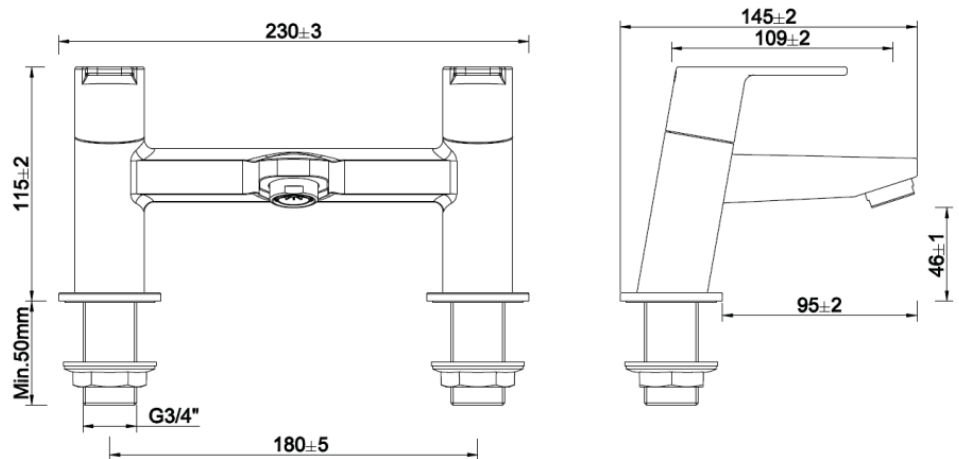
*All taps and showers must be cleaned with warm soapy water and soft cloths only. The use of abrasive cleaners or materials will render warranty invalid.

*Flexible tail connections; thermostatic cartridges; hoses and handsets are covered by a 2 year guarantee.



SPECIFICATION

Code	U39796
Style	Contemporary
Product Type	Bathroom Taps
Finish	Chrome
Main Construction Material	Brass
Inlet Connections	3/4"
Number of Tap Holes	2
Cartridge Type	3/4" CD Valve
Supply	Suitable for all Plumbing Systems
Working Pressure Range	0.1 - 5bar



Flow rate

Pressure (Bar)	Full hot water (L/Min)	Full cold water (L/Min)	Mixed water (L/Min) Main water outlet
0.1	8.28	8.12	12.83
0.3	15.01	14.48	22.27
0.5	19.46	18.72	28.56
1.0	27.59	26.52	39.74
3.0	48.81	46.04	71.56
5.0	61.03	59.26	83.32